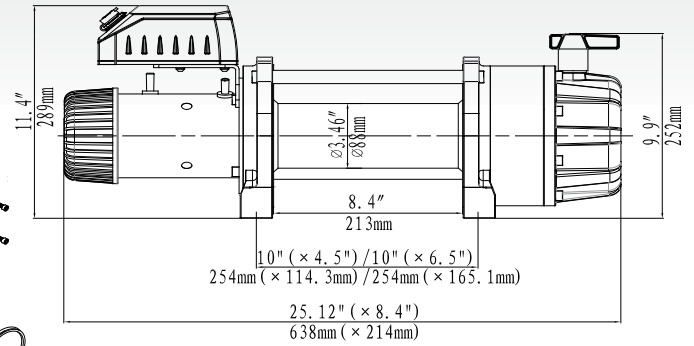
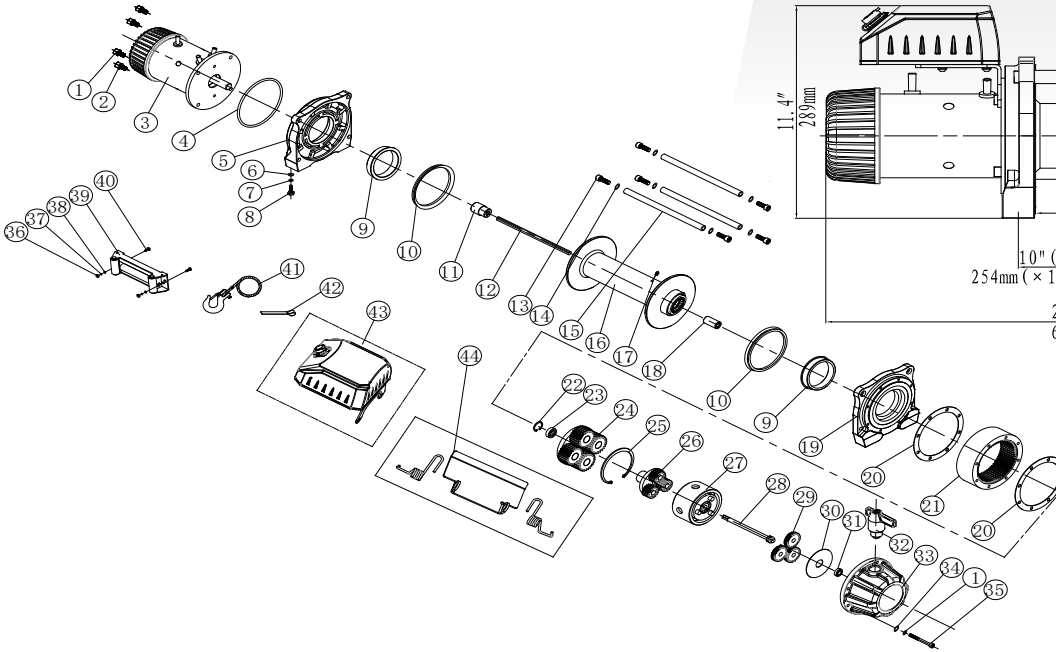


Ref:	Description:	SKU:
1	Contactors	CON012-CAD
2	Complete Control Box including, contactor and wiring	CBT-CAD
3	Motor	T2200100-12V
4	End Bearing	T2200017
5	Motor Bracket	T2200004
6	Tensioner	T2201000
7	Gearbox	GBT122S12
8	Clutch Assembly	T2200600
9	Tie Bar	T2200014
10	Roller Fairlead	RFS150-CAD
11	Cable with Hook	WIRT013-CAD
12	Hook	GHK005T-CAD
13	Hand Controller	HR4P09-CAD
14	Socket	EXT4SN-CAD

### Accessories List

Wireless Remote T41224-CAD	Wireless Remote EWX124-CAD	Synthetic Rope 12AEMU/20-CAD	Aluminium Fairleads ALIS10-CAD	Overload Protection OLP145VS12	Winch Cover XLWC01



#	Part Number	Description	Qty.
1	T2200001	Lock Washer Ø8	12
2	T2200002	Screw M8x 25	4
3	T2200100	Motor Assembly	1
4	T2200003	Ring Seals	1
5	T2200004	Motor Bracket	1
6	T2200005	Flat Washer Ø12	8
7	T2200006	Lock Washer Ø12	8
8	T2200007	Cap Screw M12 x 30	8
9	T2200008	Bushing-Drum	2
10	T2200009	Ring Seals	2
11	T2200010	Coupling	1
12	T2200011	Six Angle Bar	1
13	T2200012	Screw M10 x 30	6
14	T2200013	Lock Washer Ø10	6
15	T2200014	Tie Bar	3
16	T2200200	Drum Assembly	1
17	T2200015	Screw M8x10	1
18	T2200016	Coupling	1
19	T2200017	End Bearing	1
20	T2200018	Gasket	2
21	T2200019	Gear—Ring	1
22	T2200020	Circlip For Hole	1
23	T2200021	Bearing	1

#	Part Number	Description	Qty.
24	T2200300	Gear Carrier Assembly(Output)	1
25	T2200022	Circlip For Hole	1
26	T2200400	Gear Carrier Assembly(Intermediate)	1
27	T2200500	Brake/ Shaft Assembly	1
28	T2200023	Gear—Input Sun	1
29	T2200024	Planetary Gear	3
30	T2200025	Trust Washer	1
31	T2200026	Bearing	1
32	T2200600	Clutch Assembly	1
33	T2200027	Gear—Housing	1
34	T2200028	Flat Washer Ø8	8
35	T2200029	Screw M8x 90	8
36	T2200030	Locknut M10	2
37	T2200031	Lock Washer Ø10	2
38	T2200032	Flat Washer Ø10	2
39	T2200700	Roller Fairlead	1
40	T2200033	Hex Bolt M10x 35	2
41	T2200800	Cable Assembly	1
42	T2200034	Strap	1
43	T2200900	Control Section	1
44	T2201000	Tensioned Of Steel Wire Supplied Assembly	1