




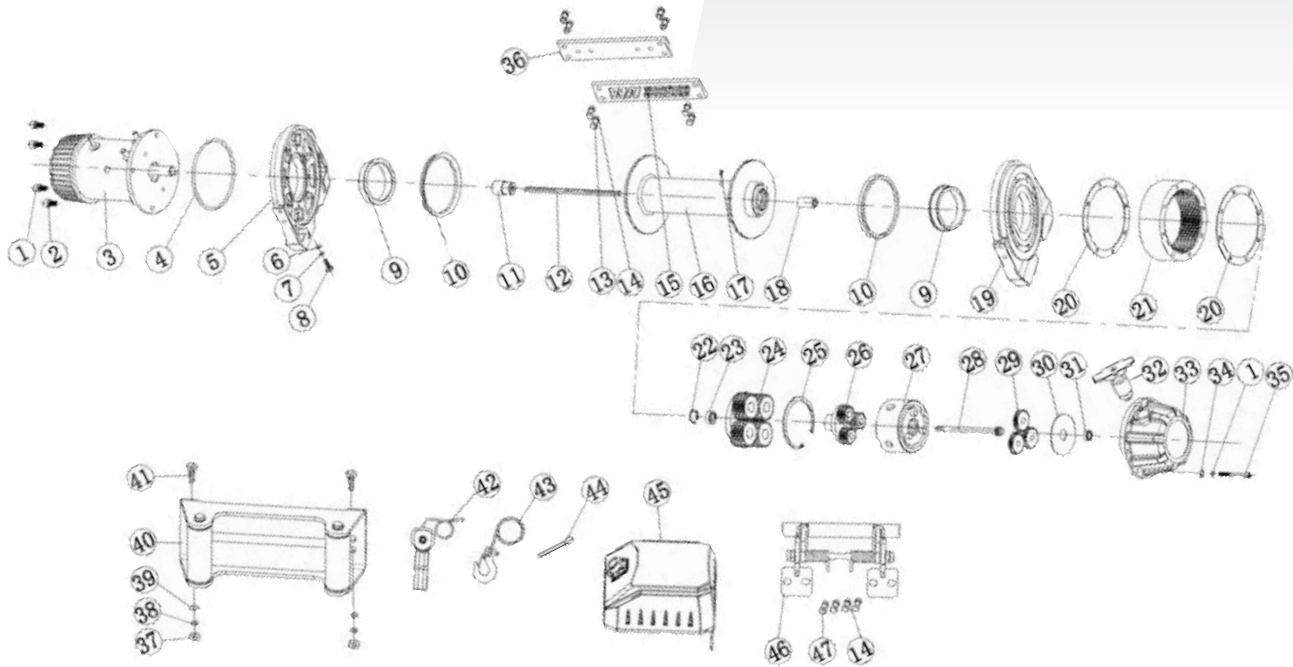




Ref:	Description:	SKU:
1	Contactors	CON012-CAD
2	Complete Control Box including, contactor and wiring	CBT-CAD
3	Motor	B2500100
4	End Bearing	B2500017
5	Motor Bracket	B2500004
6	Tensioner	B2501000
7	Gearbox	GBT225S12
8	Clutch Assembly	B2500600
9	Tie Bar	B2500030
10	Roller Fairlead	RFS150-CAD
11	Cable with Hook	B2500800
12	Hook	HK-1/2"
13	Hand Controller	HR4P08-CAD
14	Socket	EXT4SN-CAD

Accessories List

				
Wireless Remote T41224-CAD	Wireless Remote EWX124-CAD	Synthetic Rope 14HYRMU-5T	Aluminium Fairleads ALIS10-CAD	Overload Protection OLPT225S12



#	Part Number	Description	Qty.
1	B2500001	Lock Washer Φ8	12
2	B2500002	Screw M8x 25	4
3	B2500100	Motor Assembly	1
4	B2500003	Ring Seals	1
5	B2500004	Motor Bracket	1
6	B2500005	Flat Washer Φ12	8
7	B2500006	Lock Washer Φ12	8
8	B2500007	Cap Screw M12 x 30	8
9	B2500008	Bushing-Drum	2
10	B2500009	Ring Seals	2
11	B2500010	Coupling	1
12	B2500011	Six Angle Bar	1
13	B2500012	Screw M10 x 25	8
14	B2500013	Lock Washer Φ10	12
15	B2500014	Tie Bar	1
16	B2500200	Drum Assembly	1
17	B2500015	Screw M8x10	1
18	B2500016	Coupling	1
19	B2500017	End Bearing	1
20	B2500018	Gasket	2
21	B2500019	Gear—Ring	1
22	B2500020	Circlip For Hole	1
23	B2500021	Bearing	1
24	B2500300	Gear Carrier Assembly (Output)	1

#	Part Number	Description	Qty.
25	B2500022	Circlip For Hole	1
26	B2500400	Gear Carrier Assembly (Intermediate)	1
27	B2500500	Brake/ Shaft Assembly	1
28	B2500023	Gear—Input Sun	1
29	B2500024	Planetary Gear	3
30	B2500025	Trust Washer	1
31	B2500026	Bearing	1
32	B2500600	Clutch Assembly	1
33	B2500027	Gear—Housing	1
34	B2500028	Flat Washer Φ8	8
35	B2500029	Screw M8x 90	8
36	B2500030	Tie Bar(I)	1
37	B2500031	Nut M10	2
38	B2500032	Lock Washer Φ10	2
39	B2500033	Flat Washer Φ10	2
40	B2500700	Roller Fairlead	1
41	B2500034	Cap Screw M10 x 35	2
42	B2500035	Switch	1
43	B2500800	Cable Assembly	1
44	B2500036	Strap	1
45	B2500900	Control Section	1
46	B2501000	Steel Wire Assembly	1
47	B2500037	Screw M10 x 20	4