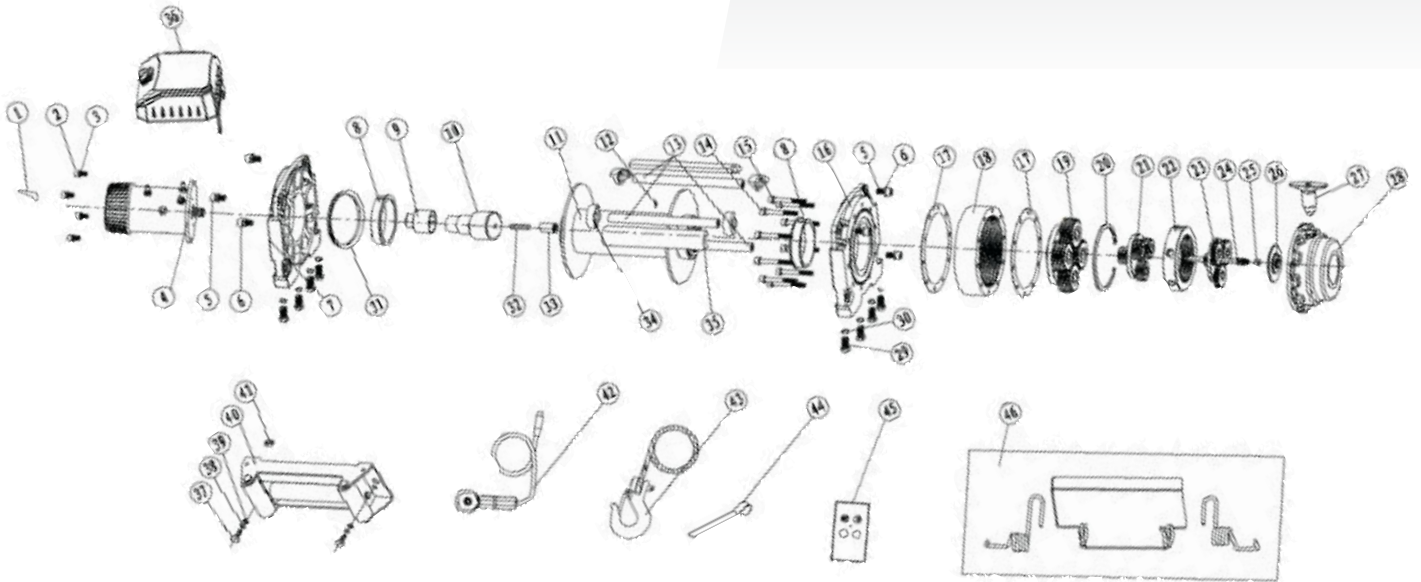




Ref:	Description:	SKU:
1	Contactors	CON012-CAD
2	Complete Control Box including, contactor and wiring	CBT-CAD
3	Motor	T180S0100
4	End Bearing	T180S0012
5	Motor Bracket	T180S0006
6	Tensioner	TEN002-CAD
7	Gearbox	GBT180S12
8	Clutch Assembly	T180S0700
9	Tie Bar	T180S0010
10	Roller Fairlead	RFS150-CAD
11	Cable with Hook	WIRS012-CAD
12	Hook	CHKS038-CAD
13	Hand Controller	HR4P09-CAD
14	Socket	EXT4SN-CAD

Accessories List

					
Wireless Remote T41224-CAD	Wireless Remote EWX124-CAD	Synthetic Rope 12AEMU/20-CAD	Aluminium Fairleads ALIS10-CAD	Overload Protection OLP1750012	Winch Cover XLWC01-CAD



#	Part Number	Description	Qty.
1	T180S0001	Terminal Protector	3
2	T180S0002	Screw M8 x 20	4
3	T180S0003	Lock Washer Φ8	4
4	T180S0100	Motor Assembly	1
5	T180S0004	Screw M10 x 30	6
6	T180S0005	Lock Washer Φ10	6
7	T180S0006	Motor Bracket	1
8	T180S0007	Bushing-Drum	2
9	T180S0008	Coupling	1
10	T180S0200	Break/shift Assembly	1
11	T180S0300	Drum Assembly	1
12	T180S0009	Screw M8x10	1
13	T180S0010	Tie Bar	3
14	T180S0011	Screw M8 x 75	10
15	T180S0003	Lock Washer Φ8	10
16	T180S0012	End Bearing	1
17	T180S0013	Gasket	2
18	T180S0014	Gear—Ring (Output)	1
19	T180S0400	Gear Carrier Assembly (Output)	1
20	T180S0015	Circlip For Hole	1
21	T180S0500	Gear Carrier Assembly (Intermediate)	1
22	T180S0016	Gear—Ring (Intermediate)	1

#	Part Number	Description	Qty.
23	T180S0600	Gear Carrier Assembly (Input)	1
24	T180S0017	Gear—Input Sun	1
25	T180S0018	Shaft Sleeve	1
26	T180S0019	Trust Washer	1
27	T180S0700	Clutch Assembly	1
28	T180S0020	Gear—Housing	1
29	T180S0021	Screw M12x30	8
30	T180S0022	Lock Washer Ø12	8
31	T180S0023	Ring seals	2
32	T180S0024	Six angle bar	1
33	T180S0025	Coupling	1
34	T180S0026	Connecting Block	4
35	T180S0027	Connecting Rod Sets	2
36	T180S0800	Control Box Assembly	1
37	T180S0028	Screw M10x35	2
38	T180S0029	Lock Washer Ø10	2
39	T180S0030	Flat Washer Ø10	2
40	T180S0900	Roller Fairlead	1
41	T180S0031	Nut M10	2
42	T180S1000	Remote Control Switch RC8	1
43	T180S1100	Cable Assembly	1
44	T180S0032	Strap	1
45	T180S1200	Remote Control	1
46	T180S1300	Steel Wire Assembly	1