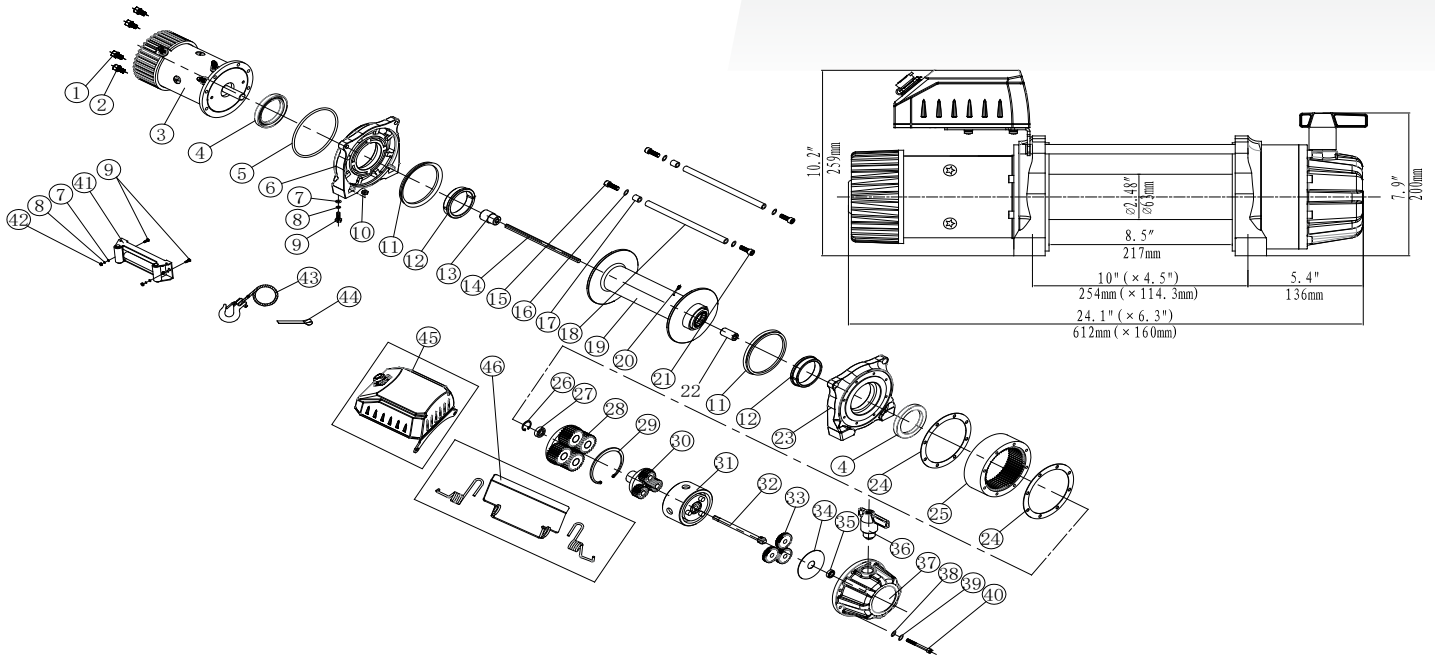


Ref:	Description:	SKU:
1	Contactors	CON012-CAD
2	Complete Control Box including, contactor and wiring	CBT-CAD
3	Motor	T1450100
4	End Bearing	T1000021
5	Motor Bracket	T1000005
6	Gearbox	GBT125S12
7	Clutch Assembly	T1000800
8	Tie Bar	T1000017
9	Aluminium Fairlead	ALIS10-CAD
10	Synthetic Rope	12AEMU/20-CAD
11	Hook	GHK0V2
12	Hand Controller	HR4P08-CAD
13	Socket	EXT4SN-CAD

Accessories List

					
Wireless Remote T41224-CAD	Wireless Remote EWX124-CAD	Steel Cable WIRT013-CAD	Roller Fairlead RFS150-CAD	Overload Protection OLP100VS12	Winch Cover LWC003-CAD



#	Part Number	Description	Qty.
1	T1000001	Lock Washer Ø6	4
2	T1000002	Screw M6x 20	4
3	T1450100	Motor Assembly	1
4	T1000003	Ring Seals	2
5	T1000004	Ring Seals	1
6	T1000005	Motor Bracket	1
7	T1000006	Think Flat Washer Ø10	6
8	T1000007	Lock Washer Ø10	6
9	T1000008	Cap Screw M10 x 35	6
10	T1000009	Hex Nut M10	4
11	T1000010	Ring Seals	2
12	T1000011	Bushing-Drum	2
13	T1000012	Coupling	1
14	T1000013	Six Angle Bar	1
15	T1000014	Screw M8 x 35	2
16	T1000015	Lock Washer Ø8	4
17	T1000016	Spacer bush	2
18	T1000017	Tie Bar	2
19	T1000200	Drum Assembly	1
20	T1000018	Screw M8x10	1
21	T1000019	Screw M8 x 20	2
22	T1000020	Coupling	1
23	T1000021	End Bearing	1
24	T1000022	Gasket	2

#	Part Number	Description	Qty.
25	T1000023	Gear—Ring	1
26	T1000024	Circlip For Hole	1
27	T1000300	Bearing	1
28	T1000400	Gear Carrier Assembly(Output)	1
29	T1000025	Circlip For Hole	1
30	T1000500	Gear Carrier Assembly(Intermediate)	1
31	T1000600	Brake/ Shaft Assembly	1
32	T1000026	Gear—Input Sun	1
33	T1000027	Planetary Gear	3
34	T1000028	Trust Washer	1
35	T1000700	Bearing	1
36	T1000800	Clutch Assembly	1
37	T1000029	Gear—Housing	1
38	T1000030	Think Flat Washer Ø6	8
39	T1000001	Lock Washer Ø6	8
40	T1000031	Screw M6x 70	8
41	T1000900	Roller Fairlead	1
42	T1000032	Locknut M10	2
43	T1451000	Cable Assembly	1
44	T1000033	Strap	1
45	T1001100	Control Assembly	1
46	T1001200	Tensioned Of Steel Wire Supplied Assembly	1